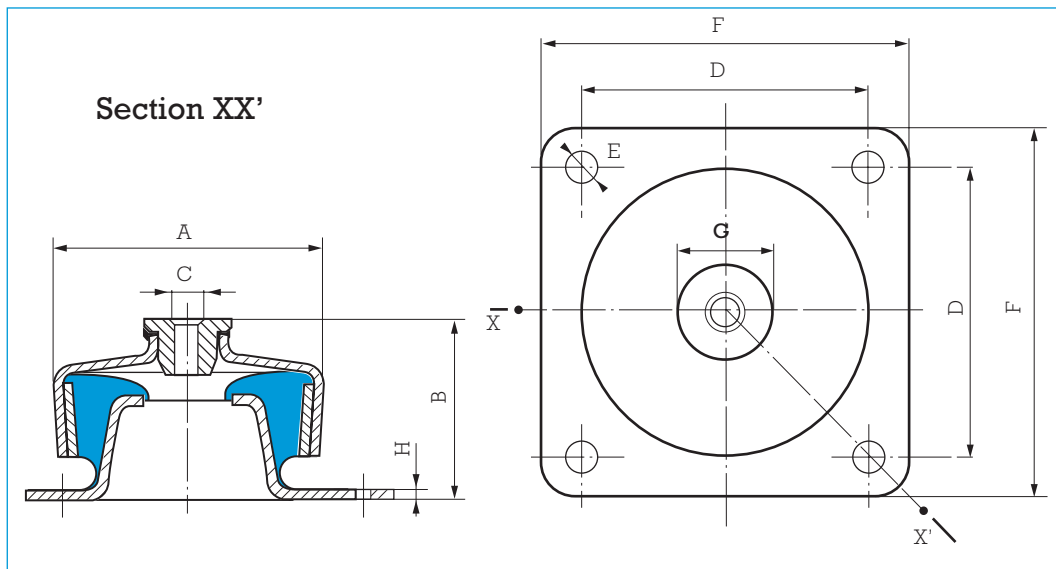


S.C.P. MOUNTING

(1) Natural frequency : 9 to 15 Hz



DIMENSIONS

Reference	Ø A mm	B mm	Ø C mm	D mm	Ø E mm	F mm	G mm	H mm
530120	74	53	10	72	9	90	32	3
530220	92	63	12	90	11	114	36	3
530420	124	94	16	114	13	144	60	4

OPERATING CHARACTERISTICS

Reference	HARDNESS 45		HARDNESS 60		HARDNESS 75		Weight g
	Load daN	Deflect. mm	Load daN	Deflect. mm	Load daN	Deflect. mm	
530120	70	3	120	2.5	175	2	580
530220	140	4	200	3	300	2.5	1000
530420	300	5	500	5	800	4	2550

See current price list for availability of items.

(1) Natural frequencies with max/min loads, see : OPERATING CHARACTERISTICS.